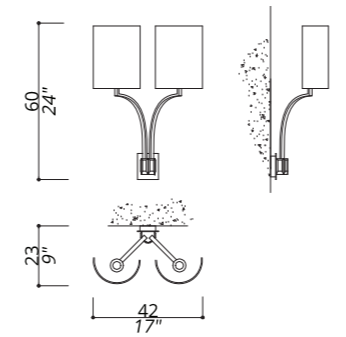
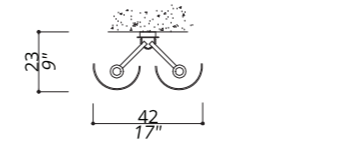


# BLOOM

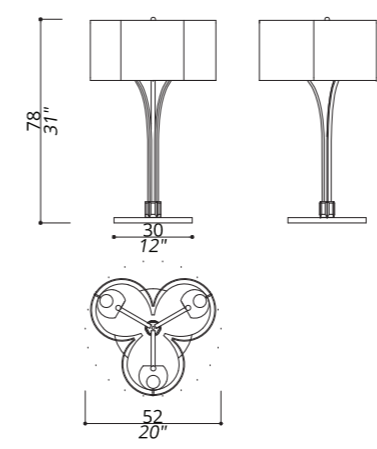
	<p><b>311-NJ-23</b></p>	<p>MODULAR CHANDELIER</p>	<p>TWO LAYER COMPOSITION OF SIX PLUS THREE PETAL-SHAPED SHADES. 50 CM OF CHAIN INCLUDED.</p> <p>STRUCTURE IN L_55 (BEIGE FINISH); CONNECTION BOX AND DETAILS IN F_31 (POLISHED NICKEL FINISH) AND F_33 (SATIN NICKEL FINISH). SHADES IN TS_23 (SILVER TREVIRA WAVE).</p>	<p>9 LIGHTS TYPE E14</p>
	<p><b>312-NJ-23</b></p>	<p>CHANDELIER</p>	<p>ONE LAYER COMPOSITION OF SIX PETAL-SHAPED SHADES. 50 CM OF CHAIN INCLUDED.</p> <p>STRUCTURE IN L_55 (BEIGE FINISH); CONNECTION BOX AND DETAILS IN F_31 (POLISHED NICKEL FINISH) AND F_33 (SATIN NICKEL FINISH). SHADES IN TS_23 (SILVER TREVIRA WAVE).</p>	<p>6 LIGHTS TYPE E14</p>
	<p><b>313-NJ-23</b></p>	<p>CHANDELIER</p>	<p>ONE LAYER COMPOSITION OF SIX PETAL-SHAPED SHADES. 50 CM OF CHAIN INCLUDED.</p> <p>STRUCTURE IN L_55 (BEIGE FINISH); CONNECTION BOX AND DETAILS IN F_31 (POLISHED NICKEL FINISH) AND F_33 (SATIN NICKEL FINISH). SHADES IN TS_23 (SILVER TREVIRA WAVE).</p>	<p>6 LIGHTS TYPE E14</p>
	<p><b>311-GK-30</b></p>		<p>STRUCTURE IN L_56 (BLACK MATTE FINISH); CONNECTION BOX AND DETAILS IN F_14 (POLISHED GOLD FINISH) AND F_15 (SATIN GOLD FINISH). SHADES IN TS_30 (THICK BEIGE SATIN).</p>	
	<p><b>312-GK-30</b></p>		<p>STRUCTURE IN L_56 (BLACK MATTE FINISH); CONNECTION BOX AND DETAILS IN F_14 (POLISHED GOLD FINISH) AND F_15 (SATIN GOLD FINISH). SHADES IN TS_30 (THICK BEIGE SATIN).</p>	
	<p><b>313-GK-30</b></p>		<p>STRUCTURE IN L_56 (BLACK MATTE FINISH); CONNECTION BOX AND DETAILS IN F_14 (POLISHED GOLD FINISH) AND F_15 (SATIN GOLD FINISH). SHADES IN TS_30 (THICK BEIGE SATIN).</p>	



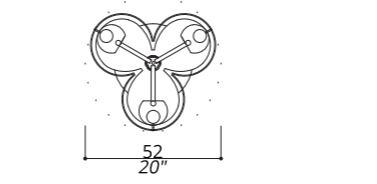
<p><b>321-NJ-23</b></p>	<p>WALL LAMP</p>	<p>STRUCTURE IN L_55 (BEIGE FINISH); CONNECTION BOX AND DETAILS IN F_31 (POLISHED NICKEL FINISH) AND F_33 (SATIN NICKEL FINISH). SHADES IN TS_23 (SILVER TREVIRA WAVE).</p>	<p>2 LIGHTS TYPE E14</p>
-------------------------	------------------	---	------------------------------



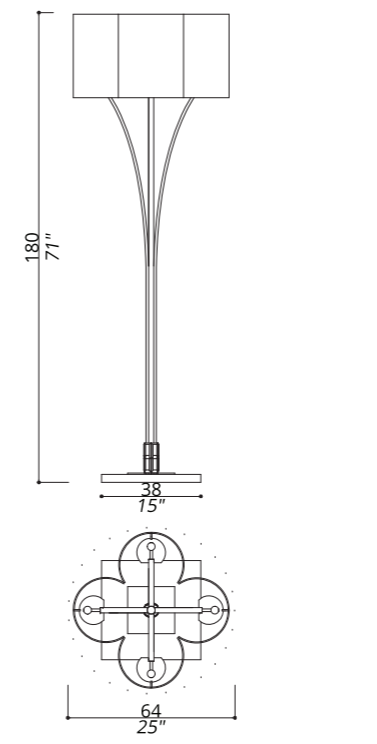
<p><b>321-GK-30</b></p>		<p>STRUCTURE IN L_56 (BLACK MATTE FINISH); CONNECTION BOX AND DETAILS IN F_14 (POLISHED GOLD FINISH) AND F_15 (SATIN GOLD FINISH). SHADES IN TS_30 (THICK BEIGE SATIN).</p>	
-------------------------	--	---	--



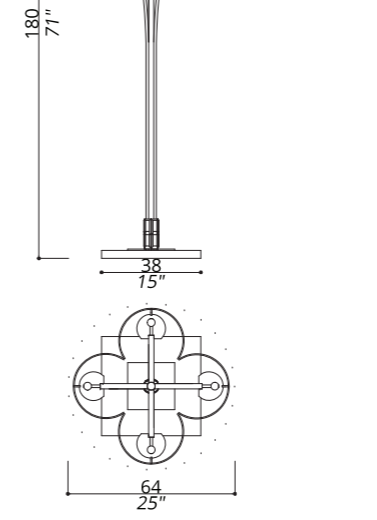
<p><b>331-NJ-23</b></p>	<p>TABLE LAMP</p>	<p>THREE PETAL-SHAPED SHADES COMPOSITION. SHAPED TOP LIGHT DIFFUSER.</p> <p>STRUCTURE AND BASE IN L_55 (BEIGE FINISH); DETAILS IN F_31 (POLISHED NICKEL FINISH) AND F_33 (SATIN NICKEL FINISH). METAL BASE. SHADES IN TS_23 (SILVER TREVIRA WAVE).</p>	<p>3 LIGHTS TYPE E14</p>
-------------------------	-------------------	--	------------------------------



<p><b>331-GK-30</b></p>		<p>STRUCTURE AND BASE IN L_56 (BLACK MATTE FINISH); DETAILS IN F_14 (POLISHED GOLD FINISH) AND F_15 (SATIN GOLD FINISH). METAL BASE. SHADES IN TS_30 (THICK BEIGE SATIN).</p>	
-------------------------	--	---	--



<p><b>341-NJ-23</b></p>	<p>FLOOR LAMP</p>	<p>FOUR PETAL-SHAPED SHADES COMPOSITION.</p> <p>STRUCTURE AND BASE IN L_55 (BEIGE FINISH); DETAILS IN F_31 (POLISHED NICKEL FINISH) AND F_33 (SATIN NICKEL FINISH). METAL BASE. SHADES IN TS_23 (SILVER TREVIRA WAVE).</p>	<p>4 LIGHTS TYPE E14</p>
-------------------------	-------------------	--	------------------------------



<p><b>341-GK-30</b></p>		<p>STRUCTURE AND BASE IN L_56 (BLACK MATTE FINISH); DETAILS IN F_14 (POLISHED GOLD FINISH) AND F_15 (SATIN GOLD FINISH). METAL BASE. SHADES IN TS_30 (THICK BEIGE SATIN).</p>	
-------------------------	--	---	--